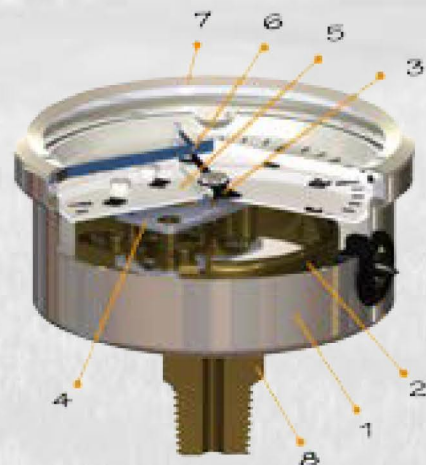


## 302L SERIES PRESSURE GAUGE

**STAINLESS STEEL HOUSING**  
**STAINLESS STEEL CONNECTOR**  
**2.5", 4" FACE**  
**CRIMPT BEZEL**  
**1/4", 1/2" NPT CENTER BACK MOUNT CONNECTION**



No	Part	Material
1	Housing	STAINLESS STEEL
2	Bourdon Tube	STAINLESS STEEL
3	Pointer	BLACK FINISHED ALUMINUM
4	Movement	SS304
5	Dial face	ALUMINUM
6	Lens	GLASS
7	Ring	STAINLESS STEEL
8	Connector	STAINLESS STEEL