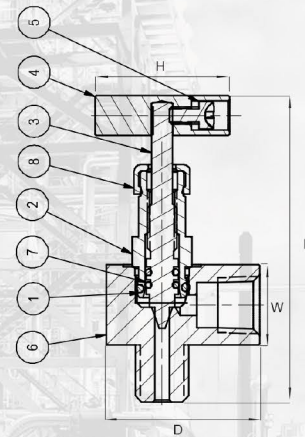


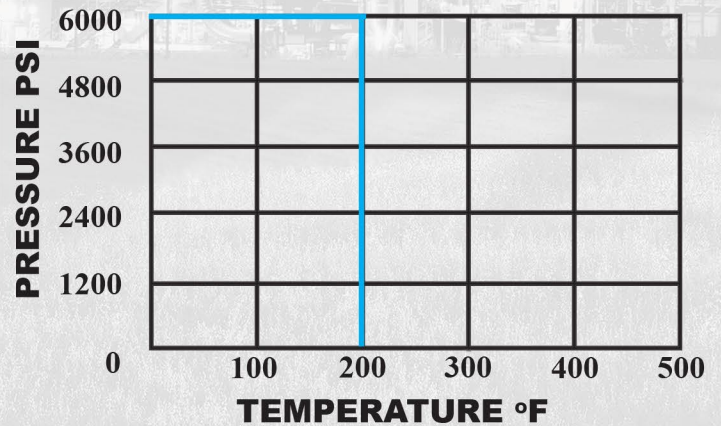
10000 PSI 90 DEGREE VALVE



CARBON OR STAINLESS BODY
10000 PSI CWP
GLOBE STYLE
MNPT X FNPT
METAL SEATS
NACE MR-0157 COMPLIANT



PRESSURE TEMPERATURE RATING



No	Part	Material	
		CARBON	STAINLESS
1	O'ring	VITON	VITON
2	Bonnet	1045 + ZINC PL	316SS
3	Stem	316SS	316SS
4	Handle	1045 + ZINC PL	316SS
5	Nut	304SS	304SS
6	Body	1045 + ZINC PL	316SS
7	O'ring	VITON	VITON
8	Dust Cap	NBR (RED)	NBR (RED)

PART#	MATERIAL	NPT	NPT	H	L	W	D
CAV-1/2M1/2F10	CARBON STEEL	1/2" MNPT	1/2" FNPT	2.36	4.41	1.06	2.05
SAV-1/2M1/2F10	STAINLESS STEEL	1/2" MNPT	1/2" FNPT	2.36	4.41	1.06	2.05

The information presented here is the reflection of our current design specifications. Apache Manufacturing may change the design and/or material specifications without prior notice. Please consult with your sales representatives for up to date information when needed.