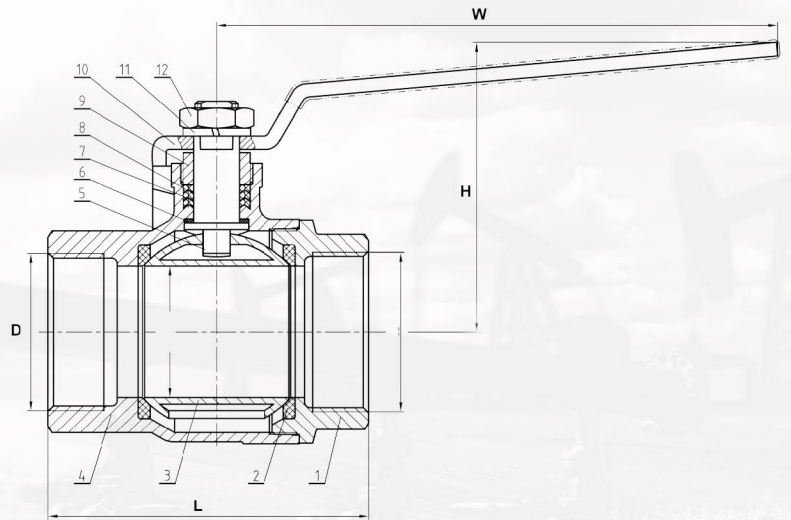




## TWO-PIECE 600 PSI FULL PORT THREADED BALL VALVE

FORGED BRASS BODY  
 FLOATING BALL  
 600 WOG, 150 SWP  
 BLOW-OUT PROOF STEM  
 THREADS CONFORMS TO  
 ANSI B1.20.1, BS21, DN 259/2999

No	Part	Material
1	Cap	FORGED BRASS
2	Seat	PTFE
3	Ball	BRASS, CHROME PLATED
4	Body	FORGED BRASS
5	Stem	FORGED BRASS
6	Washer	PTFE
7	Packing	PTFE
8	Packing	PTFE
9	Gland Nut	BRASS
10	Handle	STEEL, ZINC PLATED
11	Retainer	STEEL, ZINC PLATED
12	Stem Nut	STEEL, ZINC PLATED



PART#	NPT	L (IN)	W	H
BFT-600-1/4	1/4"	2.75	3.26	1.50
BFT-600-3/8	3/8"	2.75	3.26	1.50
BFT-600-1/2	1/2"	3.37	3.26	1.46
BFT-600-3/4	3/4"	3.63	3.45	1.93
BFT-600-1	1"	4.97	4.88	2.10
BFT-600-1 1/4	1-1/4"	5.71	5.00	2.33
BFT-600-1 1/2	1-1/2"	5.62	5.00	2.52
BFT-600-2	2"	7.34	6.90	2.96
BFT-600-2H	2" HD	8.25	7.80	3.50
BFT-600-2 1/2	2-1/2"	7.74	7.87	3.94
BFT-600-3	3"	9.00	7.87	4.37
BFT-600-4	4"	11.25	9.43	6.12

### PRESSURE TEMPERATURE RATING

