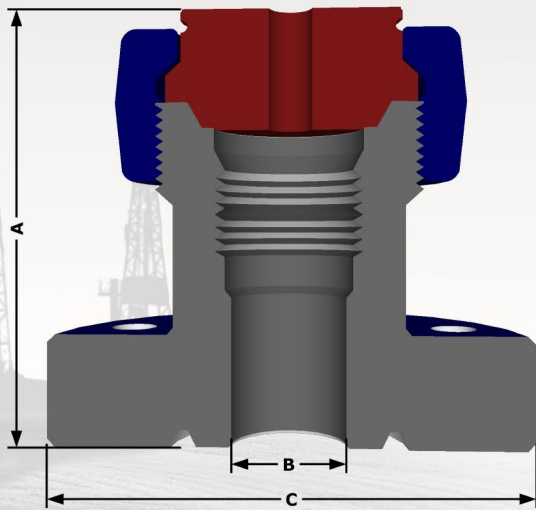
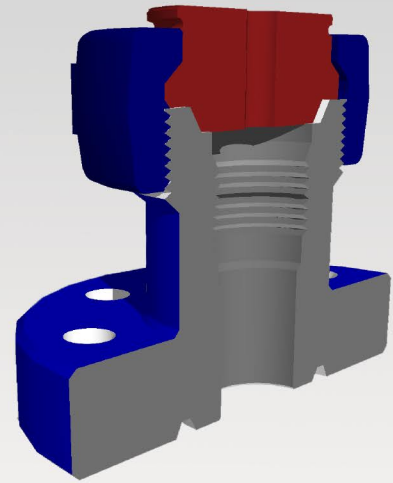


Overview

Bottom hole test adapters or Treecaps allow a flexible means of entry into the tubing bore. Apache tree caps are constructed with one piece forging and is designed to use where a integral flanged unit is preferred.



Flange Size	Bore	A	B	C	Lift Thread	Wt (lbs)
2-1/16" 5,000 psi	2 1/16"	7.79"	8.46"	2.07"	2 3/8" EUE	52
2-9/16" 5,000 psi	2 9/16"	7.79"	9.65"	2.56"	2 7/8" EUE	60