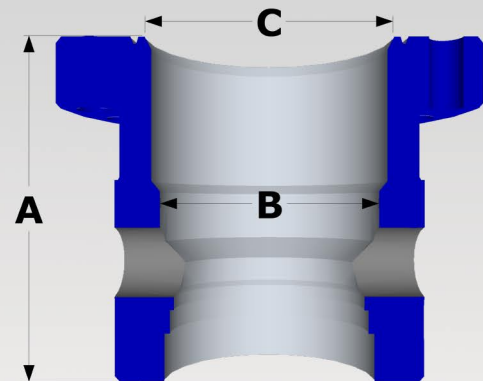


## Overview

Apache Casing heads have a straight bore bowl design with 45 landing shoulders which prevents damage to sealing areas by drilling tools and eliminates bowl protector wedging issues when pressure is applied.



## Ordering Options

### Outlets

- Line Pipe Outlets
- Side Studded Outlets

### Lock Screws

BP pins (2) are supplied upon request

### Bottom Connections

- Slip-on-weld
- Slip-on-weld + O'ring
- Threaded
- Sure Lock

### API 6A specifications

PSL 1, PSL 2 (on request), PR 1, DD

Casing Size	Top Flange	Working Pressure (psi)	A	B	C	Weight (lbs)
8-5/8"	11"	2,000	17.25	8.00	10.88	340
		3,000	17.25	8.00	10.88	460
		5,000	17.50	8.00	10.88	710
9-5/8"	11"	2,000	17.25	9.00	10.88	320
		3,000	17.25	9.00	10.88	430
		5,000	17.50	9.00	10.88	680
10-3/4"	11"	2,000	17.25	10.00	10.88	300
		3,000	17.25	10.00	10.88	410
		5,000	17.50	10.00	10.88	560
11-3/4"	13-5/8"	2,000	17.50	11.00	13.50	469
		3,000	17.50	11.00	13.50	587
	16-3/4"	3,000	17.50	11.00	16.62	-
		5,000	18.00	11.00	16.62	-
13-3/8"	13-5/8"	2,000	17.50	12.56	13.50	380
		3,000	17.50	12.56	13.50	500
		5,000	17.50	12.56	13.50	750
	16-3/4"	3,000	17.50	12.56	16.62	-
5,000		18.00	12.56	16.62	-	
16"	16-3/4"	2,000	17.50	15.37	16.62	980
		3,000	17.50	15.37	16.62	995
		5,000	18.00	15.37	16.62	-
20"	21-1/4"	2,000	19.00	19.12	20.12	1210
	20-3/4"	3,000	19.00	19.12	20.12	1331