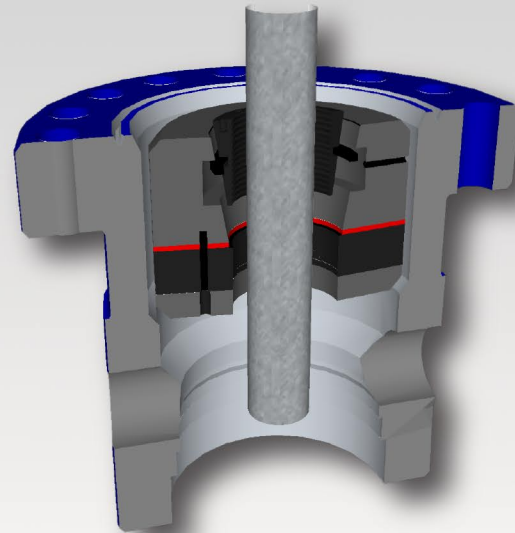


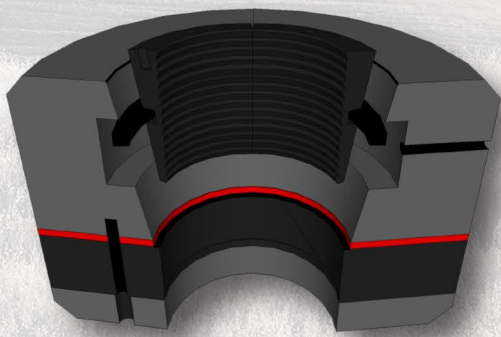
Overview

Apache Pressure Products offers a wide selection of Casing Hangers. The casing Hanger lands inside of the casing head and is responsible for hanging the casing string. We supply both slip and mandrel style casing hangers.



C-22/29

Apache C-22 wrap around casing hangers incorporates pack off, slip bowl and slips. Packoff seals the annulus below the slips when casing load is applied. The C-22 Hanger's controlled friction reduces casing deflection. C-22 casing hangers are easy to install and economical.



Nominal Bowl Size	Casing Size
11"	4-1/2"
	5"
	5-1/2"
	7"
13-5/8"	7-5/8"
	5-1/2"
	7"
	8-5/8"
16-3/4"	9-5/8"
	10-3/4"
	11-7/8"
20"	13-3/8"
	16"