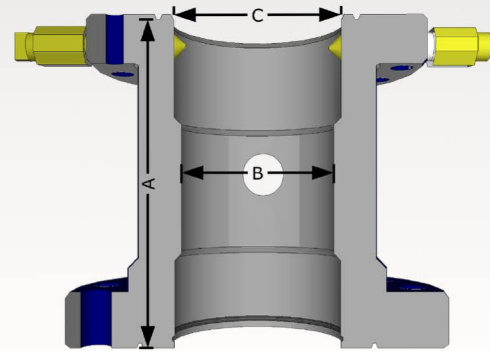
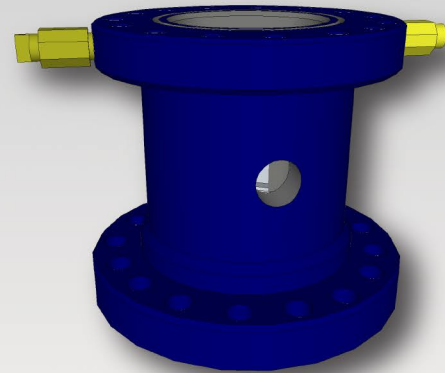


Overview

Apache C-22 Casing Spools have a straight bore bowl design with 45 landing shoulders. Bottom prep can be standard PE/BG, "OO" bottom (below 5,000 psi applications) or double "P" seal bottom.

C-29 Casing Spools are based on the same design as the C-22 with a larger bowl. Which permits the acceptance of the C-29 Casing Hanger with larger load capacity.



Bottom Flange (wp in psi)		Top Flange (wp in psi)		Dimensions (inch)			Weight (lbs)	
A	B	C						
11"	2,000	11"	2,000	23.12	10.00	10.88	570	
			3,000	23.12	10.00	10.88	600	
	3,000	11"	3,000	23.12	10.00	10.88	710	
			5,000	26.25	10.00	10.88	-	
	5,000	11"	5,000	26.25	10.00	10.88	-	
			10,000	31.25	10.00	10.88	-	
13-5/8"	2,000	11"	2,000	23.12	10.00	10.88	-	
			3,000	23.12	10.00	10.88	740	
		13-5/8"	2,000	23.12	12.50	13.50	-	
			3,000	23.12	12.50	13.50	-	
	3,000	11"	3,000	26.25	10.00	10.88	785	
			5,000	26.25	10.00	10.88	1175	
		13-5/8"	3,000	26.75	12.50	13.50	-	
			5,000	26.75	12.50	13.50	-	
	5,000	11"	5,000	29.38	10.00	10.88	1595	
			10,000	30.25	10.00	10.88	1948	
		13-5/8"	5,000	30.25	12.50	13.50	-	
			10,000	30.25	12.50	13.50	-	
	10,000	11"	10,000	30.88	10.00	10.88	2950	
		13-5/8"	10,000	32.62	12.50	13.50	3900	
	16-3/4"	2,000	11"	2,000	23.12	10.00	10.88	-
				3,000	23.12	10.00	10.88	-
			13-5/8"	2,000	23.12	12.50	13.50	-
				3,000	23.12	12.50	13.50	-
3,000		11"	3,000	23.12	10.00	10.88	1200	
			5,000	24.12	10.00	10.88	1518	
		13-5/8"	3,000	24.12	12.50	13.50	1725	
			5,000	25.00	12.50	13.50	1950	
		11"	5,000	30.50	10.00	10.88	-	
			10,000	29.75	10.00	10.88	3235	
5,000		13-5/8"	5,000	29.75	12.50	13.50	-	
			10,000	30.50	12.50	13.50	3243	
		13-5/8"	10,000	32.62	12.50	13.50	-	
			16-3/4"	10,000	33.00	15.37	16.62	-
21-1/4"		2,000	13-5/8"	2,000	25.25	12.50	13.50	-
				3,000	25.25	12.50	13.50	2063.00
			16-3/4"	2,000	25.25	15.37	16.62	-
				3,000	25.25	15.37	16.62	-
20-3/4"	3,000	13-5/8"	3,000	25.25	12.50	13.50	1960	
			5,000	27.00	12.50	13.50	2450.00	
		20-3/4"	3,000	27.00	19.12	20.12	-	
			5,000	29.25	19.12	20.12	-	
21-1/4"	5,000	13-5/8"	5,000	27.00	12.50	13.50	-	
			10,000	29.25	12.50	13.50	-	
		16-3/4"	5,000	30.75	15.37	16.62	-	
			10,000	32.25	15.37	16.62	-	

Ordering Options

Outlets

- Line Pipe Outlets
- Side Studded Outlets

Lock Screws

BP pins (2) are supplied upon request

Bottom Prep

- PE/BG Bottom
- "OO" Bottom
- Dobule "P" Seal Bottom

API 6A specifications

- PSL 1, PSL 2, PR 1, DD