

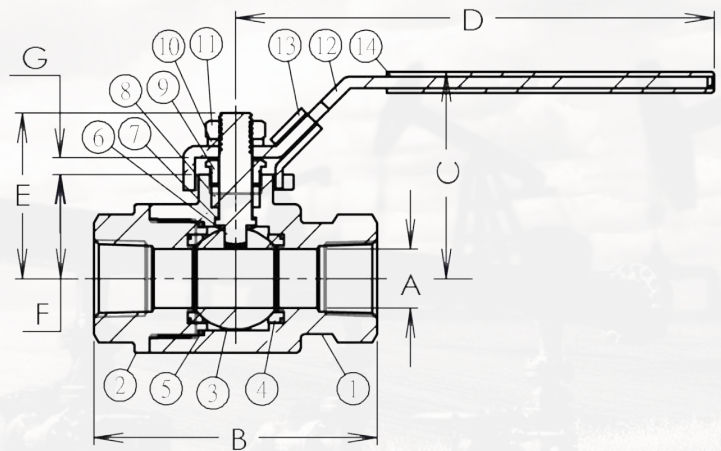


TWO-PIECE 2000 PSI* FULL PORT THREADED BALL VALVE

* 2.5" - 3" RATED 1,500 PSI. 4" RATED AT 1,000 PSI

**CAST STEEL BODY
FLOATING BALL
BLOW-OUT PROOF STEM
LOCKING HANDLE
NACE MR-0175 COMPLIANT
THREADS CONFORMS TO
ANSI B1.20.1, BS21, DN 259/2999**

No	Part	Material
1	Body	A216-WCB
2	Cap	A216-WCB
3	Ball	AISI 316
4	Seat	PTFE/RTFE
5	Joint Gasket	PTFE
6	Stem	AISI 316
7	Thrust Washer	PTFE
8	Stem Packing	PTFE
9	Gland Nut	ASTM A2-70
10	Spring Washer	AISI 304
11	Stem Nut	AISI 304
12	Handle	AISI 304
13	Locking Device	AISI 304
14	Handle Sleeve	PVC



PART#	NPT	A(inch)	B	C	D
CFT-2000-1/4	1/4"	0.46	2.25	1.97	3.94
CFT-2000-3/8	3/8"	0.50	2.25	1.97	3.94
CFT-2000-1/2	1/2"	0.51	2.51	1.97	3.94
CFT-2000-3/4	3/4"	0.79	2.95	2.36	4.92
CFT-2000-1	1"	0.98	3.55	2.76	6.30
CFT-2000-1 1/4	1-1/4"	1.26	4.02	3.15	6.30
CFT-2000-1 1/2	1-1/2"	1.50	4.56	3.54	7.48
CFT-2000-2	2"	1.97	5.38	3.54	7.48
CFT-2000-2 1/2	2-1/2"	2.56	6.22	4.80	8.66
CFT-2000-3	3"	3.15	7.01	5.24	9.84
CFT-2000-4	4"	3.94	8.94	6.38	12.60

PRESSURE TEMPERATURE RATING

