

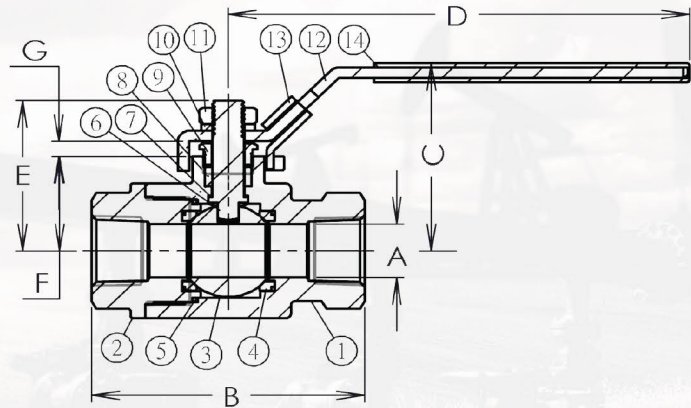


TWO-PIECE CLASS 1500 FULL PORT* THREADED BALL VALVE

* 2" AVAILABLE IN STANDARD PORT ONLY

CAST STEEL BODY, FLOATING BALL
 ASME B16.34 CLASS 1500, 3705 WOG
 FIRE SAFE API 607
 BLOW-OUT PROOF STEM
 ISO 5211 MOUNTING PAD
 LOCKING HANDLE
 NACE MR-0175 COMPLIANT
 THREADS CONFORMS TO
 ANSI B1.20.1, BS21, DN 259/2999

No	Part	Material
1	Body	WCB
2	Cap	WCB
3	Ball	CF8M
4	Seat	DELTRIN
5	Joint Gasket	GRAPHITE
6	Stem	SS316 OR 17-4 (1-1/2", 2")
7	Thrust Washer	DELTRIN
8	Stem Packing	GRAPHITE
9	Gland Nut	AISI 304
10	Spring Washer	AISI 304
11	Stem Nut	AISI 304
12	Handle	AISI 304
13	Locking Device	AISI 304
14	Handle Sleeve	PVC



PART#	NPT	A (INCH)	B	C	D
CFTB-3600-1/4	1/4"	0.25	3.00	2.22	5.00
CFTB-3600-1/2	1/2"	0.50	4.00	2.22	5.00
CFTB-3600-3/4	3/4"	0.75	4.30	2.89	5.83
CFTB-3600-1	1"	1.00	4.80	3.50	8.19
CFTB-3600-1 1/2	1-1/2"	1.50	5.30	4.34	10.16
CFTB-3600-2R	2"	1.50	6.30	4.34	10.16

PRESSURE TEMPERATURE RATING

