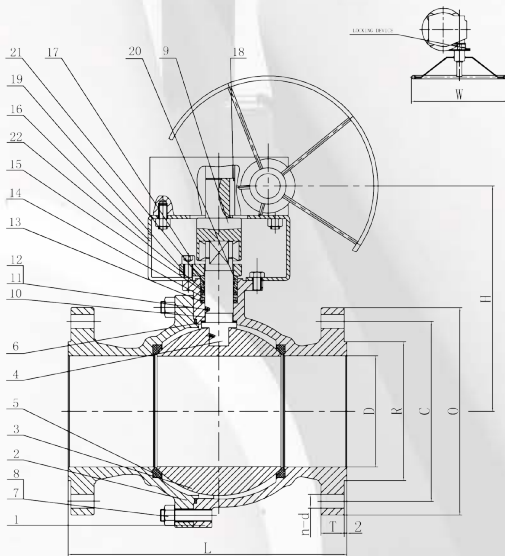


NPS-DN		Nominal Dimensions									
in	mm	L	D	R	C	O	n-d	T	W	H	
4	100	9.02	3.94	6.19	7.50	9.06	8-0.75	0.88	18.11	7.72	

No	Part	Material
1	Body	A351CF8M
2	Bonnet	A351 CF8M
3	Ball	A182 F316
4	Stem	A182 F316
5	Seat	RPTFE
6	F.S Washer	316-GRAPHITE
7	Nut	A194 8M
8	Bolt	A193 B8M
10	Bearing	RPTFE
11	Small Seat Ball	A276 316
12	Antistatic Spring	A276 316
13	F.S Washer	GRAPHITE+316
14	F.S Washer	GRAPHITE
15	Bearing	RPTFE
16	Hex Screw	A193 B7M
17	Gland Flange	A351 CF8M
18	Gland Ring	A276 316
19	O-Ring	VITON
20	O-Ring	VITON



NPS-DN		Nominal Dimensions									
in	mm	L	D	R	C	O	n-d	T	W	H	
6	150	15.51	5.98	8.50	9.50	11.02	8-0.89	0.94	18.31	13.98	

No	Part	Material
1	Body	A351 CF8M
2	Bonnet	A351 CF8M
3	Ball	A182 F316
4	Stem	A182 F316
5	Seat	RPTFE
6	F.S Washer	316-GRAPHITE
7	Bolt	A193 B8M
8	Nut	A194 8M
9	Joint Stem	A29 4135-ENP
10	Bearing	RPTFE
11	Small Seat Ball	A276 316
12	Antistatic Spring	A276 316
13	F.S Washer	GRAPHITE+316
14	F.S Washer	GRAPHITE
15	Bearing	RPTFE
16	Yoke	A36+ENP
17	Hex Screw	A193 B8M
18	Key	AISI 1045
19	Gland Flange	A351 CF8M
20	Gland Ring	A276 316
21	O-Ring	VITON
22	O-Ring	VITON