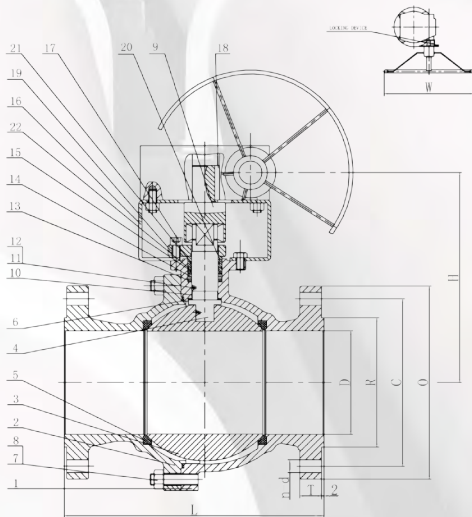


NPS-DN		Nominal Dimensions									
in	mm	L	D	R	C	O	n-d	T	W	H	
2	50	7.01	1.97	3.63	4.75	5.91	4-0.75	0.56	11.81	5.31	
3	80	7.99	2.99	5.00	6.00	7.48	4-0.75	0.69	15.75	6.93	
4	100	9.02	3.94	6.19	7.50	9.06	8-0.75	0.88	18.11	7.72	

No	Part	Material
1	Body	A216 WCB
2	Bonnet	A216 WCB
3	Ball	A182 F316
4	Stem	A182 F316
5	Seat	RPTFE
6	F.S Washer	316-GRAPHITE
7	Nut	A194 2HM
8	Bolt	A193 B7M
10	Bearing	RPTFE
11	Small Seat Ball	A276 316
12	Antistatic Spring	A276 316
13	F.S Washer	GRAPHITE+316
14	F.S Washer	GRAPHITE
15	Bearing	RPTFE
16	Hex Screw	A193 B7M
17	Gland Flange	A216 WCB
18	Gland Ring	A276 316
19	O-Ring	VITON
20	O-Ring	VITON



NPS-DN		Nominal Dimensions									
in	mm	L	D	R	C	O	n-d	T	W	H	
6	150	15.51	5.98	8.50	9.50	11.02	8-0.89	0.94	18.31	13.98	
8	200	17.99	7.95	10.63	11.75	13.58	8-0.89	1.06	23.62	16.30	

No	Part	Material
1	Body	A216 WCB
2	Bonnet	A216 WCB
3	Ball	A182 F316
4	Stem	A182 F316
5	Seat	RPTFE
6	F.S Washer	316-GRAPHITE
7	Bolt	A193 B7M
8	Nut	A194 2HM
9	Joint Stem	A29 4135-ENP
10	Bearing	RPTFE
11	Small Steel Ball	A276 316
12	Antistatic Spring	A276 316
13	F.S Washer	GRAPHITE+316
14	F.S Washer	GRAPHITE
15	Bearing	RPTFE
16	Yoke	A36
17	Hex Screw	A193 B7M
18	Key	AISI 1045
19	Gland Flange	A216 WCB
20	Gland Ring	A276 316
21	O-Ring	VITON
22	O-Ring	VITON