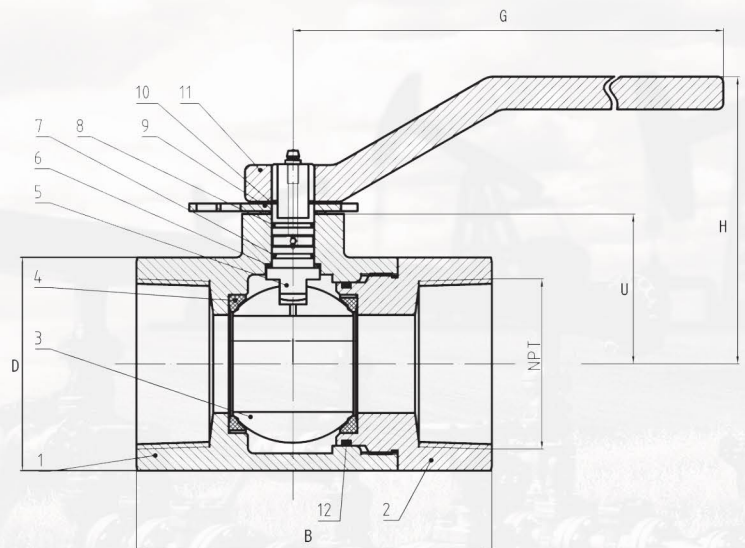
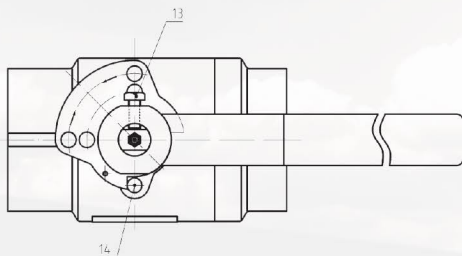




TWO-PIECE DUCTILE IRON OILFIELD BALL VALVE

DUCTILE IRON BODY
 FLOATING BALL
 COLOR CODED, UP TO 2000 WOG
 BLOW-OUT PROOF STEM
 LOCKING PLATE
 GREASE FITTING
 NACE MR-0175 COMPLIANT
 THREADS CONFORMS TO
 ANSI B1.20.1, BS21, DN 259/2999



No	Part	Material
1	Body	A395
2	Bonnet	A395
3	Ball	304SS
4	Seat	DELTRIN
5	Stem	304SS
6	Stem Washer	TEFLON
7	Stem O'ring	VITON
8	Thrust Bearing	TEFLON
9	Stop Collar	A194 2H
10	Snap Ring	6150
11	Handle	A395
12	Body Seal	VITON
13	Handle Bolt	A193 B7
14	Stop Screw	A193 B7

PART#	NPT	COLOR	WP (PSI)	B (INCH)	D	U	H	G
DIBV15FT-1	1" FP	BLUE	1000	4.00	2.50	1.72	3.06	6.25
DIBV20FT-1	1" FP	GREEN	1000	4.00	2.50	1.72	3.06	6.25
DIBV10RT-2	2" RP	MAROON	1000	5.50	3.50	2.63	5.63	8.50
DIBV15RT-2	2" RP	BLUE	1500	5.50	3.50	2.63	5.63	8.50
DIBV20RT-2	2" RP	GREEN	2000	5.50	3.50	2.63	5.63	8.50
DIBV20FT-2	2" FP	GREEN	2000	6.00	4.38	3.06	6.00	8.50
DIBV10RT-3	3" RP	MAROON	1000	6.00	4.38	3.06	5.88	8.50
DIBV20RT-3	3" RP	GREEN	2000	6.00	4.38	3.06	5.88	8.50
DIBV20FT-3	3" FP	GREEN	2000	8.75	5.63	4.00	6.78	15.00
DIBV10RT-4	4" RP	MAROON	1000	8.75	5.63	5.00	6.78	15.00
DIBV20RT-4	4" RP	GREEN	2000	8.75	5.63	5.00	6.78	15.00