



LUG BUTTERFLY VALVE

200 PSI, DUCTILE IRON BODY

10 POSITION HANDLE

SQUARE STEM

BUNA OR VITON SEATS

FACE TO FACE ISO 5752

MOUNTING PAD ISO 5211

FLANGE ANSI 150

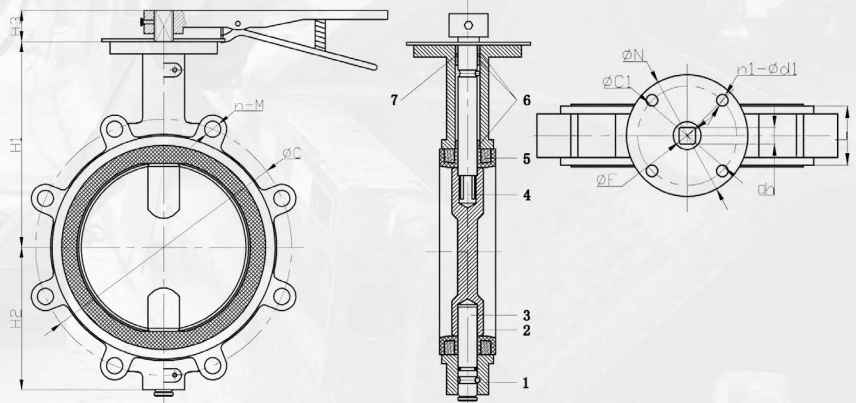
DISC SELECTIONS

NICKLE PLATED DI

ALUMINUM BRONZE

STAINLESS 316

No	Part	Material
1	Body	DI
2	Disc	DI/CF8M
3	Down Stem	410SS/416SS/316SS
4	Up Stem	410SS
5	Seat	NBR/PTFE/VITON
6	Bushing	PTFE
7	O Ring	NBR



SIZE	L (IN)	TOP FLANGE		FLANGE	ΦF	h	H1	H2	H3
		ΦN	ΦC1	ΦC					
2"	1.69	3.54	2.76	4.75	0.50	0.35	3.94	3.00	1.14
2-1/2"	1.81	3.54	2.76	5.50	0.50	0.35	4.60	3.34	1.14
3"	1.81	3.54	2.76	6.00	0.50	0.35	4.90	3.66	1.14
4"	2.05	3.54	2.76	7.50	0.62	0.43	6.20	4.28	1.14
5"	2.20	3.54	2.76	8.50	0.74	0.55	6.14	4.84	1.14
6"	2.20	3.54	2.76	9.50	0.74	0.55	6.69	5.34	1.14
8"	2.36	4.92	4.92	11.75	0.87	0.67	9.44	6.53	1.38
10"	2.68	4.92	4.92	14.25	1.12	0.87	11.22	7.99	1.38
12"	3.07	4.92	4.92	17.00	1.12	0.87	11.81	9.37	1.38

