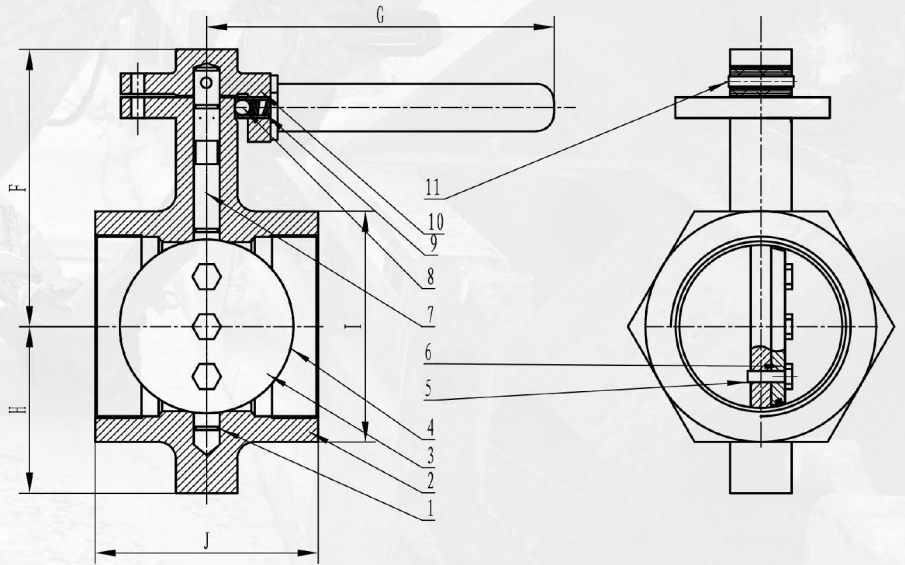




**THREADED BUTTERFLY VALVE**

200 PSI, DUCTILE IRON BODY  
 NICKLE PLATED  
 BUNA OR VITON SEATS  
 ALUMINUM BRONZE DISC  
 THREAD STANDARD B1.20.1

No	Part	Material
1	Stem O-Ring	NBR
2	Body	DI (NICKLE PLATED)
3	Disc	AL-BR C 954
4	Disc O-Ring	NBR
5	Hex-Nuts	304SS
6	O-Ring Seal	NBR
7	Stem O-Ring	416SS
8	Handle Ball	CARBON STEEL
9	Spring	304SS
10	Handle	DI
11	Handle Key	CARBON STEEL



SIZE	F (IN)	G	H	I	J
3"	6.06	8.00	2.75	4.06	4.87
4"	6.37	8.00	3.83	5.31	5.13