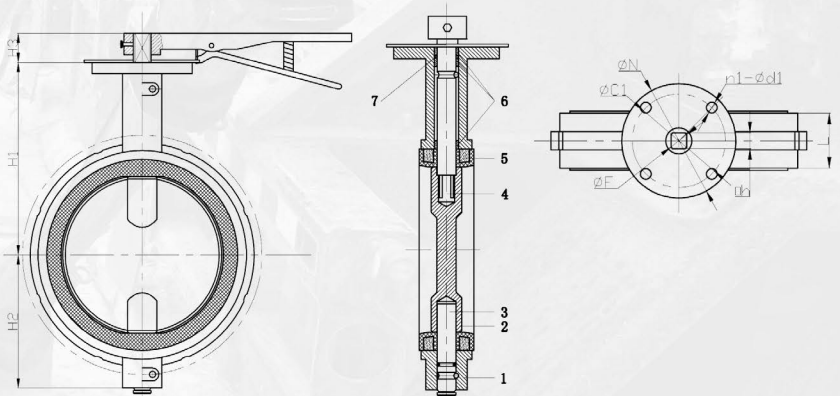



WAFER BUTTERFLY VALVE
200 PSI, DUCTILE IRON BODY
10 POSITION HANDLE
SQUARE STEM
BUNA OR VITON SEATS
FACE TO FACE ISO 5752
MOUNTING PAD ISO 5211
FLANGE ANSI 150
DISC SELECTIONS
NICKLE PLATED DI
ALUMINUM BRONZE
STAINLESS 316

No	Part	Material
1	Body	DI
2	Disc	DI/CF8M
3	Down Stem	410SS/416SS/316SS
4	Up Stem	410SS
5	Seat	NBR/PTFE/VITON
6	Bushing	PTFE
7	O Ring	NBR



SIZE	L (IN)	TOP FLANGE		FLANGE	ΦF	h	H1	H2	H3
		ΦN	ΦC1	ΦC					
2"	1.69	3.54	2.76	4.75	0.50	0.35	3.94	3.00	1.14
2-1/2"	1.81	3.54	2.76	5.50	0.50	0.35	4.60	3.34	1.14
3"	1.81	3.54	2.76	6.00	0.50	0.35	4.90	3.66	1.14
4"	2.05	3.54	2.76	7.50	0.62	0.43	6.20	4.28	1.14
5"	2.20	3.54	2.76	8.50	0.74	0.55	6.14	4.84	1.14
6"	2.20	3.54	2.76	9.50	0.74	0.55	6.69	5.34	1.14
8"	2.36	4.92	4.92	11.75	0.87	0.67	9.44	6.53	1.38
10"	2.68	4.92	4.92	14.25	1.12	0.87	11.22	7.99	1.38
12"	3.07	4.92	4.92	17.00	1.12	0.87	11.81	9.37	1.38

