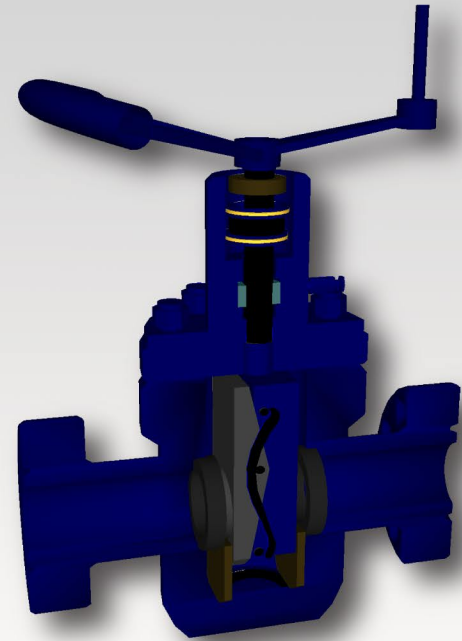


## Overview

The Apache expanding gate valve is a bi-directional, with a preferred sealing side valve. For wellhead, production trees, and manifold applications with working pressure rated up to 5,000 psi. Supplied in flanged or threaded connections.

Apache expanding gate valves utilizes a wedge gate design for easy manual operation and parts are usually compatible with most major manufacturer and distributors for easy repair and maintenance.

Apache expanding gate valves comes in variety of trim and product service levels, please consult trim chart or specify well conditions at time of inquiry for the best trim and PSL level for your application.



## Threaded

Size	A (Bore, inch)	B (inch)	C (inch)	D (inch)	E (inch)	# of Turns	Wt (lbs)
2-1/16"	2.06	9.62	5.3	19.6	13	13	126
2-9/16"	2.56	10.25	6.1	20.6	13	15-1/2	142
3-1/8"	3.12	11.38	7.6	22.8	16	20	236
4-1/16"	4.06	13	9.4	25.9	16	24-1/2	454

## Flanged

Size	A (Bore, inch)	B (inch)	C (inch)	D (inch)	E (inch)	# of Turns	Wt (lbs)
2-1/16"	2.06	14.62	5.3	19.6	13	13	176
2-9/16"	2.56	16.62	6.1	20.6	13	15-1/2	224
3-1/8"	3.12	18.62	7.6	22.8	16	20	334
4-1/16"	4.06	21.62	9.4	25.9	16	24-1/2	614

