



## FORGED STEEL CLASS 800 LIFT CHECK VALVE

A105 FORGED STEEL BODY

CR13 STAINLESS TRIM

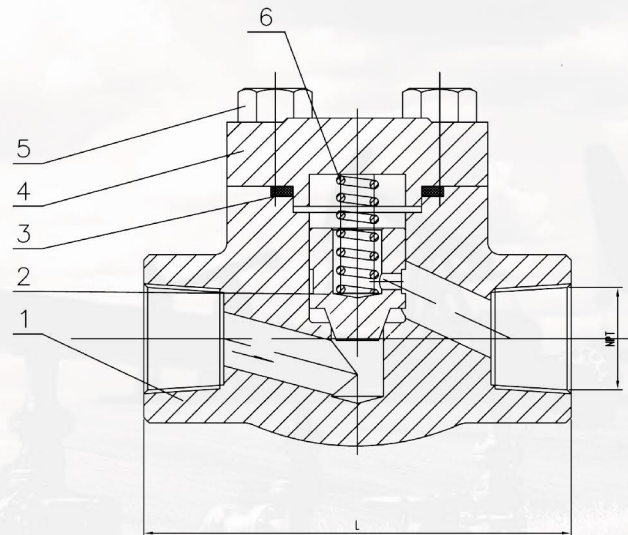
DESIGN API 602

FIRE SAFE API 607

NACE MR-0157 COMPLIANT

THREADS CONFORMS TO

ANSI B1.20.1, BS21, DN 259/2999



No	Part	Material
1	Body	A105+F304
2	Disc	A182 F6a
3	Gasket	SS+FLEX GRAPHITE
4	Cover	A105
5	Stud	ASTM A193 B7M
6	Spring	SS304

PART#	NPT	NPS	L
FSLCT-800-1/2	1/2"	1/2"	3.11
FSLCT-800-3/4	3/4"	3/4"	3.62
FSLCT-800-1	1"	1"	4.37
FSLCT-800-1 1/2	1-1/2"	1-1/2"	5.98
FSLCT-800-2	2"	2"	6.77

### PRESSURE TEMPERATURE RATING

