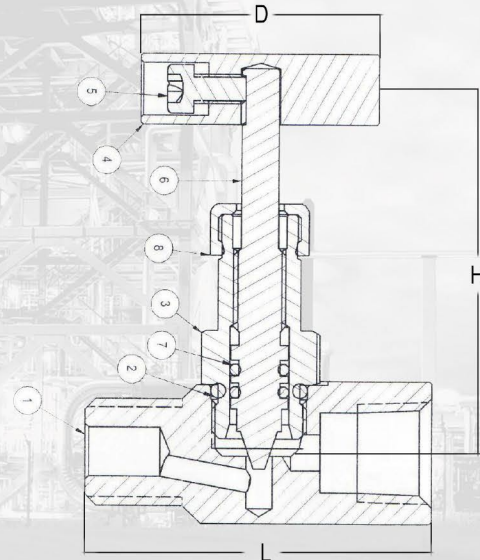


6000 PSI MINI NEEDLE VALVE

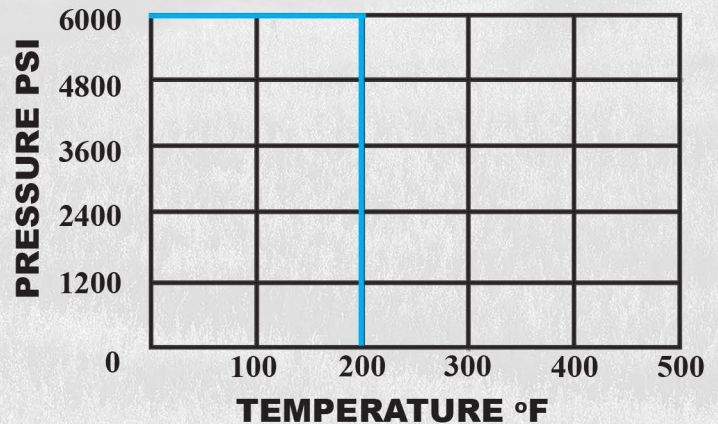


CARBON OR STAINLESS BODY
6000 PSI CWP, GLOBE STYLE
TEE OR ROUND HANDLE
MNPT X FNPT, FNPT X FNPT, MNPT X MNPT
METAL SEATS
2 X 1/2" NPT PORTS
NACE MR-0157 COMPLIANT

No	Part	Material	
		CARBON	STAINLESS
1	Body	AISI 1045	316SS
2	O'ring	VITON	VITON
3	Bonnet	AISI 1045	316SS
4	Handle	AISI 1045	316SS
5	Handle Nut	410SS	410SS
6	Stem	316SS	316SS
7	O'ring	VITON	VITON
8	Dust Cap	-	-



PRESSURE TEMPERATURE RATING



PART#	MATERIAL	HANDLE	NPT	NPT	L	D	H*
CMT-1/4M1/4F6	CARBON STEEL	TEE	1/2" MNPT	1/2" FNPT	1.89	1.26	2.55
SMT-1/4M1/4F6	STAINLESS STEEL	TEE	1/2" MNPT	1/2" FNPT	1.89	1.26	2.55
CMR-1/4M1/4F6	CARBON STEEL	ROUND	1/2" MNPT	1/2" FNPT	1.89	0.98	2.55
SMR-1/4M1/4F6	STAINLESS STEEL	ROUND	1/2" MNPT	1/2" FNPT	1.89	0.98	2.55
CMT-1/4F1/4F6	CARBON STEEL	TEE	1/2" FNPT	1/2" FNPT	1.89	1.26	2.55
SMT-1/4F1/4F6	STAINLESS STEEL	TEE	1/2" FNPT	1/2" FNPT	1.89	1.26	2.55
CMR-1/4F1/4F6	CARBON STEEL	ROUND	1/2" FNPT	1/2" FNPT	1.89	0.98	2.55
SMR-1/4F1/4F6	STAINLESS STEEL	ROUND	1/2" FNPT	1/2" FNPT	1.89	0.98	2.55
CMT-1/4M1/4M6	CARBON STEEL	TEE	1/2" MNPT	1/2" MNPT	1.89	1.26	2.55
SMT-1/4M1/4M6	STAINLESS STEEL	TEE	1/2" MNPT	1/2" MNPT	1.89	1.26	2.55
CMR-1/4M1/4M6	CARBON STEEL	ROUND	1/2" MNPT	1/2" MNPT	1.89	0.98	2.55
SMR-1/4M1/4M6	STAINLESS STEEL	ROUND	1/2" MNPT	1/2" MNPT	1.89	0.98	2.55