

Overview

The multi-bowl system allows the support of multiple casing strings therefore reducing installation time. Our multi-bowl wellhead system is configurable according to your specifications. Apache's multi-bowl system can significantly reduce your operational cost and improve safety at the same time.

Tubing Hanger

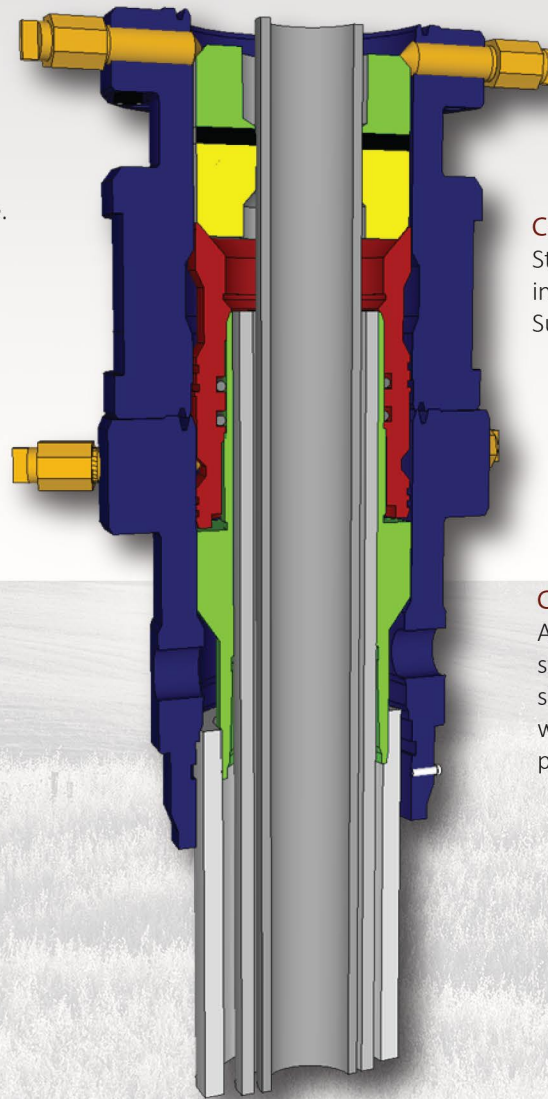
Multibowl system uses traditional TCM Tubing Hangers. Tubing hanger lands on the packoff support bushing. Lockdown pins from the upper casing spool locks the tubing hangers in place.

Packoff Support Bushing

Pack-off support bushing lands on the mandrel hanger and suspend the intermediate casing string.

Casing Hanger

Multi-bowl system utilizes a fluted mandrel casing hanger to allow cement returns.



Casing Spool

Straightbore design casing spool incorporates two sets of ET style lockpins. Supplied with two Side-Studded Outlets

Casing Head

Apache Multi-bowl casing head uses a straight-bore design with 45° landing shoulders. Casing heads are supplied with eight lockpins to support the packoff bushing.