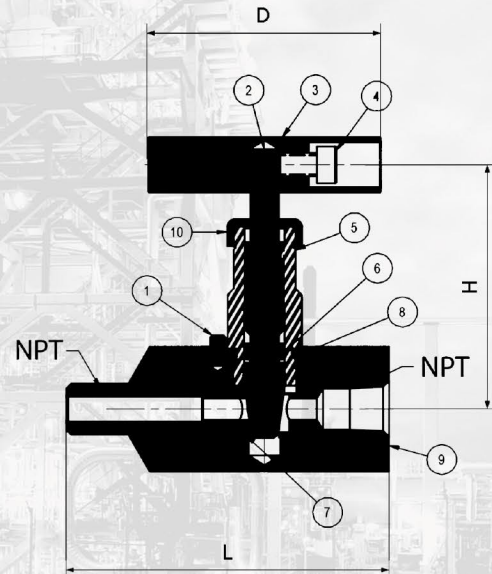




6000 PSI NEEDLE VALVE

CARBON OR STAINLESS BODY
6000 PSI CWP
GATE STYLE
MNPT X FNPT, FNPT X FNPT
DELIRIN OR PEEK SEATS
NACE MR-0157 COMPLIANT

No	Part	Material	
		CARBON	STAINLESS
1	Bonnet Pin	304SS	304SS
2	Stem	316SS	316SS
3	Tee Handle	AISI 1045+ZINC PL	A182 F6a
4	Handle Nut	410SS	410SS
5	Bonnet	AISI 1045+ZINC PL	316SS
6	O'ring	VITON	VITON
7	Seat	Delrin / Peek	Delrin / Peek
8	O'ring	VITON	VITON
9	Body	AISI 1045+ZINC PL	316SS
10	Nut	NBR (RED)	NBR (RED)



PART#	MATERIAL	NPT	NPT	L	D	H
CNV-1/4M1/4F6	CARBON STEEL	1/4" MNPT	1/4" FNPT	3.27	2.37	2.65
CNV-1/4F1/4F6	CARBON STEEL	1/4" FNPT	1/4" FNPT	2.96	2.37	2.65
CNV-1/2M1/2F6	CARBON STEEL	1/2" MNPT	1/2" FNPT	3.27	2.37	2.65
CNV-1/2F1/2F6	CARBON STEEL	1/2" FNPT	1/2" FNPT	2.96	2.37	2.65
CNV-3/4M3/4F6	CARBON STEEL	3/4" MNPT	3/4" FNPT	3.27	2.37	2.65
CNV-3/4F3/4F6	CARBON STEEL	3/4" FNPT	3/4" FNPT	2.96	2.37	2.65
CNV-1M1F6	CARBON STEEL	1" MNPT	1" FNPT	3.73	2.37	2.65
CNV-1F1F6	CARBON STEEL	1" FNPT	1" FNPT	3.42	2.37	2.65
SNV-1/4M1/4F6	STAINLESS	1/4" MNPT	1/4" FNPT	3.27	2.37	2.65
SNV-1/4F1/4F6	STAINLESS	1/4" FNPT	1/4" FNPT	2.96	2.37	2.65
SNV-1/2M1/2F6	STAINLESS	1/2" MNPT	1/2" FNPT	3.27	2.37	2.65
SNV-1/2F1/2F6	STAINLESS	1/2" FNPT	1/2" FNPT	2.96	2.37	2.65
SNV-3/4M3/4F6	STAINLESS	3/4" MNPT	3/4" FNPT	3.27	2.37	2.65
SNV-3/4F3/4F6	STAINLESS	3/4" FNPT	3/4" FNPT	2.96	2.37	2.65
SNV-1M1F6	STAINLESS	1" MNPT	1" FNPT	3.73	2.37	2.65
SNV-1F1F6	STAINLESS	1" FNPT	1" FNPT	3.42	2.37	2.65

PRESSURE TEMPERATURE RATING

