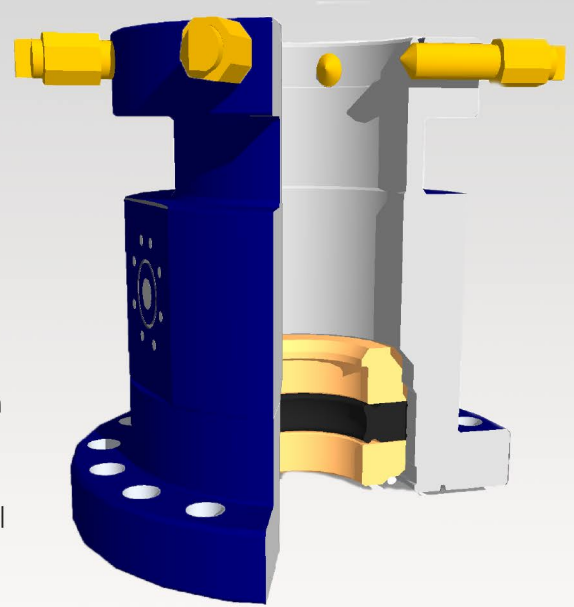


Overview

Secondary seals are inserted in the bottom of a casing or tubing spool. It is used to seal around the production casing. Apache Pressure Products carries PE and HPE secondary seals.



PE Seals

PE seal is inserted in the bottom of a casing or tubing spool and retained with a snap wire. The seal is energized when the spool is installed over the casing stub and the flanged connection is made up.



HPE Seals

HPE seal is inserted into a HPE bottom preparation of most 10,000- 15,000 psi casing or tubing spools. The bottom plate is threaded into the bottom prep and is designed for high pressure applications

Casing Size	Spool Nominal Bottom Prep		
	7"	9"	10-3/4"
4-1/2"	5,000 psi - 15,000 psi	5,000 psi - 15,000 psi	
5"	5,000 psi - 15,000 psi	5,000 psi - 15,000 psi	
5-1/2"	5,000 psi - 15,000 psi	5,000 psi - 15,000 psi	
6-5/8"		5,000 psi - 15,000 psi	
7"		5,000 psi - 15,000 psi	
7-5/8"		5,000 psi - 15,000 psi	
8-5/8"			5,000 psi - 15,000 psi
9-5/8"			5,000 psi - 15,000 psi