

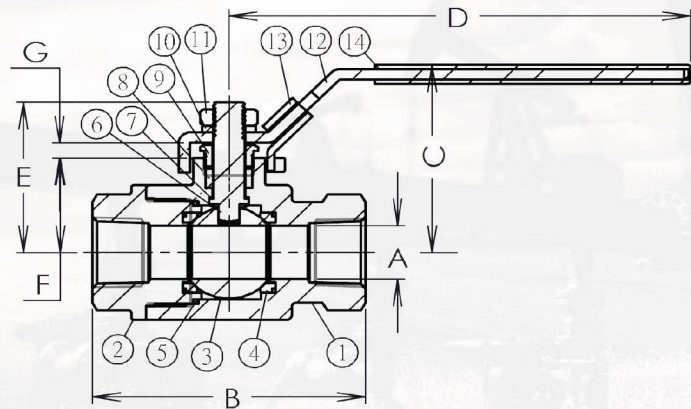


SEAL-WELD CLASS 1500 FULL PORT* THREADED BALL VALVE

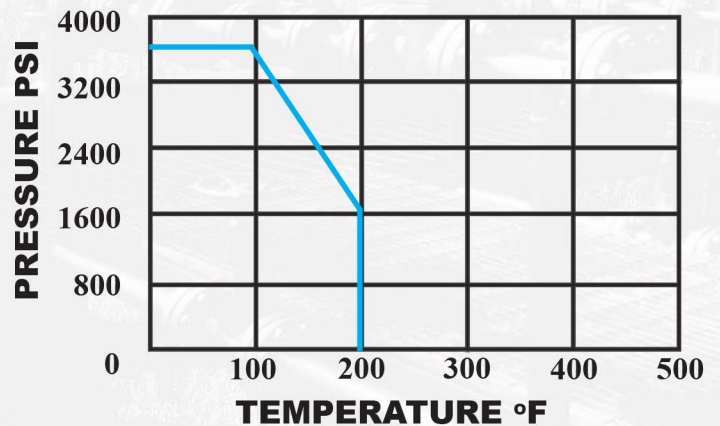
* 2" AVAILABLE IN STANDARD PORT ONLY

SS316 BODY, FLOATING BALL
 ASME B16.34 CLASS 1500, 3600 WOG
 FIRE SAFE API 607
 BLOW-OUT PROOF STEM
 ISO 5211 MOUNTING PAD
 LOCKING HANDLE
 NACE MR-0175 COMPLIANT
 THREADS CONFORMS TO
 ANSI B1.20.1, BS21, DN 259/2999

No	Part	Material
1	Body	CF8M
2	Cap	CF8M
3	Ball	CF8M
4	Seat	DELTRIN
5	Joint Gasket	GRAPHITE
6	Stem	SS316 OR 17-4 (1-1/2", 2")
7	Thrust Washer	DELTRIN
8	Stem Packing	GRAPHITE
9	Gland Nut	AISI 304
10	Spring Washer	AISI 304
11	Stem Nut	AISI 304
12	Handle	AISI 304
13	Locking Device	AISI 304
14	Handle Sleeve	PVC



PRESSURE TEMPERATURE RATING



PART#	NPT	A (INCH)	B	C	D
SFTB-3600-1/4	1/4"	0.25	3.00	2.22	5.00
SFTB-3600-1/2	1/2"	0.50	4.00	2.22	5.00
SFTB-3600-3/4	3/4"	0.75	4.30	2.89	5.83
SFTB-3600-1	1"	1.00	4.80	3.50	8.19
SFTB-3600-1 1/2	1-1/2"	1.50	5.30	4.34	10.16
SFTB-3600-2R	2"	1.50	6.30	4.34	10.16