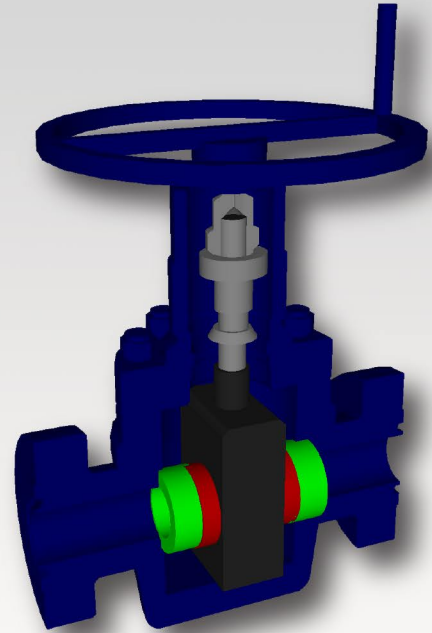


## Overview

The Apache slab gate is a high performance, bi-directional slab gate valve is ideal for high pressure, critical service applications from 3,000 psi through 20,000 psi.

Apache slab gate valve utilizes a forged body and bonnet with alloy steel and at the minimum meets API PSL 2 requirements.

Apache slab gate valves come in a variety of trim and product service levels, please consult the trim chart or specify well conditions at time of inquiry for the best trim and PSL level for your application. Also available in ball screw or hydraulic operation at higher pressure ratings.



## Flanged 5,000 psi working Pressure

Size	A (Bore, inch)	B (inch)	C (inch)	D (inch)	E (inch)	API Ring	Wt (lbs)
2-1/16"	2.06	14.62	5.1	15.5	13.5	R-24	216
2-9/16"	2.56	16.62	5.9	16.5	13.5	R-27	289
3-1/8"	3.12	18.62	6.7	17.4	17	R-35	419
4-1/16"	4.06	21.62	8.3	19.1	17	R-39	688
5-1/8"	5.12	28.62	11	24.4	18.75	R-44	1387
7-1/16" x 6"	6	29	14.8	27.1	25	R-46	2106
7-1/16" x 6-3/8"	6.38	29	15	27.3	25	R-46	2132
7-1/16"	7.06	32	15.3	27.6	25	R-46	2187

## Flanged 10,000 psi working Pressure

Size	A (Bore, inch)	B (inch)	C (inch)	D (inch)	E (inch)	API Ring	Wt (lbs)
1-13/16"	1.81	18.25	5.6	14.8	17	BX-151	260
2-1/16"	2.06	20.5	6.1	15.5	17	BX-152	315
2-9/16"	2.56	22.25	6.8	16.5	17	BX-153	576
3-1/16"	3.06	24.38	7.9	17.4	18.75	BX-154	602
4-1/16"	4.06	26.38	9.8	19.1	18.75	BX-155	1118
5-1/8"	5.12	29	12.7	24.4	25	BX-169	1528

## Flanged 15,000 psi working Pressure

Size	A (Bore, inch)	B (inch)	C (inch)	D (inch)	E (inch)	API Ring	Wt (lbs)
1-13/16"	1.81	18	5.9	14.8	17	BX-151	260
2-1/16"	2.06	19	6.5	15.5	17	BX-152	315
2-9/16"	2.56	21	7.7	16.5	18.75	BX-153	576
3-1/16"	3.06	23.56	9	17.4	18.75	BX-154	602

