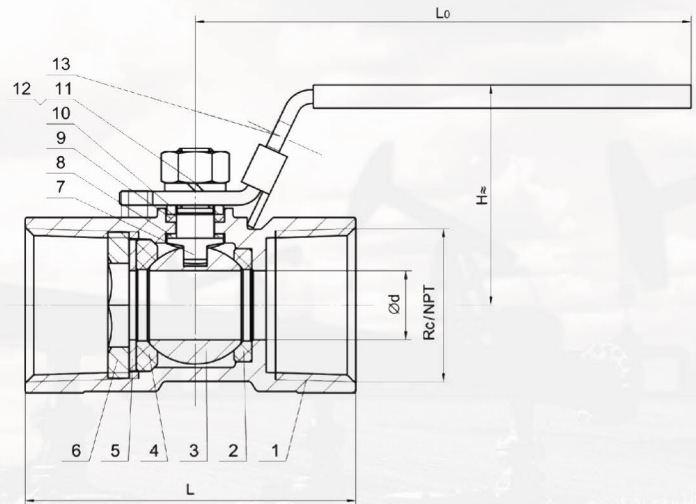




## ONE-PIECE 1000 PSI REDUCED PORT THREADED BALL VALVE

316 STAINLESS BODY  
 FLOATING BALL  
 BLOW-OUT PROOF STEM  
 LOCKING HANDLE  
 NACE MR-0175 COMPLIANT  
 THREADS CONFORMS TO  
 ANSI B1.20.1, BS21, DN 259/2999

| No | Part          | Material |
|----|---------------|----------|
| 1  | Body          | CF8M     |
| 2  | Cap           | CF8M     |
| 3  | Ball          | CF8M     |
| 4  | Seat          | PTFE     |
| 5  | Joint Gasket  | PTFE     |
| 6  | Nut           | AISI 304 |
| 7  | Stem          | CF8M     |
| 8  | Stem Washer   | PTFE     |
| 9  | Packing       | PTFE     |
| 10 | Gland Nut     | AISI 304 |
| 11 | Stem Nut      | AISI 304 |
| 12 | Spring Washer | AISI 304 |
| 13 | Handle        | AISI 304 |
| 14 | Handle Sleeve | PVC      |



| PART#         | NPT    | d(inch) | L    | L <sub>0</sub> | H    |
|---------------|--------|---------|------|----------------|------|
| SRT-2000-1/4  | 1/4"   | 0.20    | 1.57 | 2.76           | 1.34 |
| SRT-2000-3/8  | 3/8"   | 0.28    | 1.77 | 2.76           | 1.42 |
| SRT-2000-1/2  | 1/2"   | 0.35    | 2.17 | 3.54           | 1.54 |
| SRT-2000-3/4  | 3/4"   | 0.47    | 2.36 | 3.54           | 1.69 |
| SRT-2000-1    | 1"     | 0.59    | 2.76 | 4.13           | 1.81 |
| SRT-2000-11/4 | 1-1/4" | 0.79    | 3.15 | 4.72           | 2.09 |
| SRT-2000-11/2 | 1-1/2" | 0.98    | 3.39 | 5.12           | 2.32 |
| SRT-2000-2    | 2"     | 1.26    | 4.02 | 5.51           | 2.56 |

### PRESSURE TEMPERATURE RATING

