

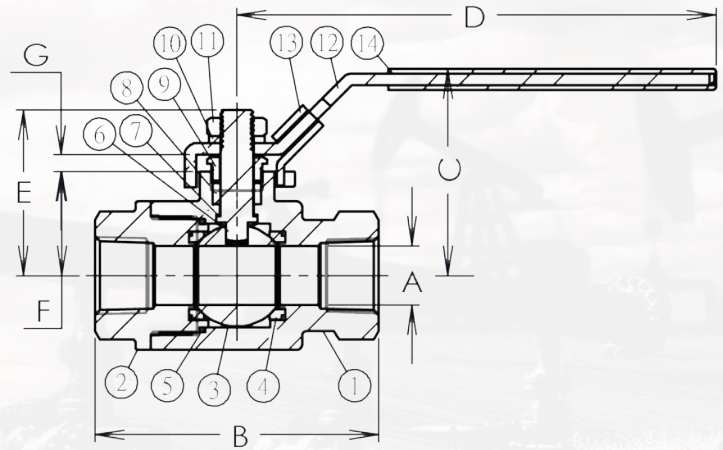


## SEAL-WELD 2000 PSI\* FULL PORT THREADED BALL VALVE

\* 2.5" - 4" RATED 1,500 PSI.

**316 STAINLESS BODY  
 FLOATING BALL  
 BLOW-OUT PROOF STEM  
 LOCKING HANDLE  
 NACE MR-0175 COMPLIANT  
 THREADS CONFORMS TO  
 ANSI B1.20.1, BS21, DN 259/2999**

No	Part	Material
1	Body	CF8M
2	Cap	CF8M
3	Ball	AISI 316
4	Seat	PTFE
5	Joint Gasket	PTFE
6	Stem	AISI 316
7	Thrust Washer	PTFE
8	Stem Packing	PTFE
9	Gland Nut	ASTM A2-70
10	Spring Washer	AISI 304
11	Stem Nut	AISI 304
12	Handle	AISI 304
13	Locking Device	AISI 304
14	Handle Sleeve	PVC



PART#	NPT	A(inch)	B	C	D
SWFT-2000-1/4	1/4"	0.46	2.25	1.97	3.94
SWFT-2000-3/8	3/8"	0.50	2.25	1.97	3.94
SWFT-2000-1/2	1/2"	0.51	2.51	1.97	3.94
SWFT-2000-3/4	3/4"	0.79	2.95	2.36	4.92
SWFT-2000-1	1"	0.98	3.55	2.76	6.30
SWFT-2000-11/4	1-1/4"	1.26	4.02	3.15	6.30
SWFT-2000-11/2	1-1/2"	1.50	4.56	3.54	7.48
SWFT-2000-2	2"	1.97	5.38	3.54	7.48
SWFT-2000-21/2	2-1/2"	2.56	6.22	4.80	8.66
SWFT-2000-3	3"	3.15	7.01	5.24	9.84
SWFT-2000-4	4"	3.94	8.94	6.38	12.60

PRESSURE TEMPERATURE RATING

