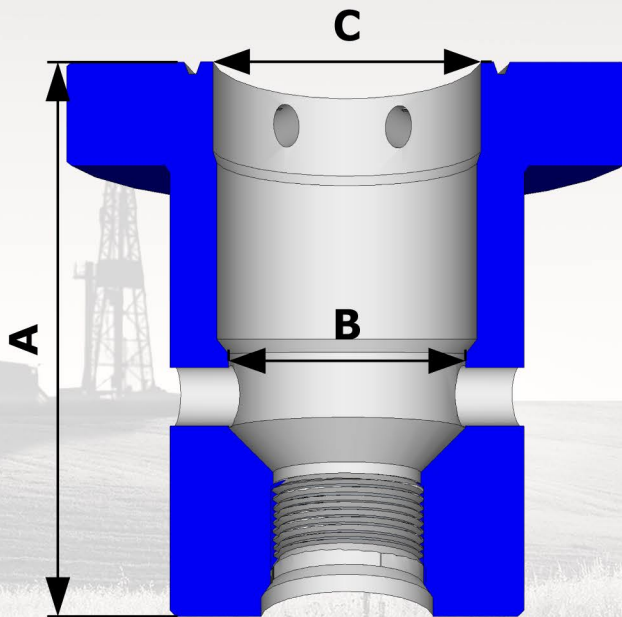
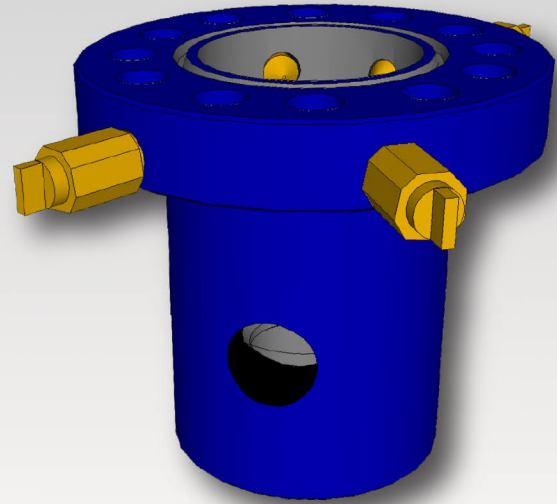


Overview

Apache Threaded Tubing Heads has a TCM top and threaded bottom connection.

All Tubing Heads are supplied with 4 BP Lock pins and comes with 2" LP outlets.

Tubing Heads are supplied up to 5,000 psi.



Flange (w working pressure in psi)	Bottom	Outlet	Dimensions (inches)			Wt (lbs)	
			A	B	C		
7 1/16"	3,000	4 1/2" 8rd	2 X 2" LP	14.000	7.000	7.126	103
	3,000	5 1/2" 8rd	2 X 2" LP	14.000	7.000	7.126	101
	5,000	4 1/2" 8rd	2 X 2" LP	15.945	7.000	7.126	108
	5,000	5 1/2" 8rd	2 X 2" LP	15.945	7.000	7.126	104