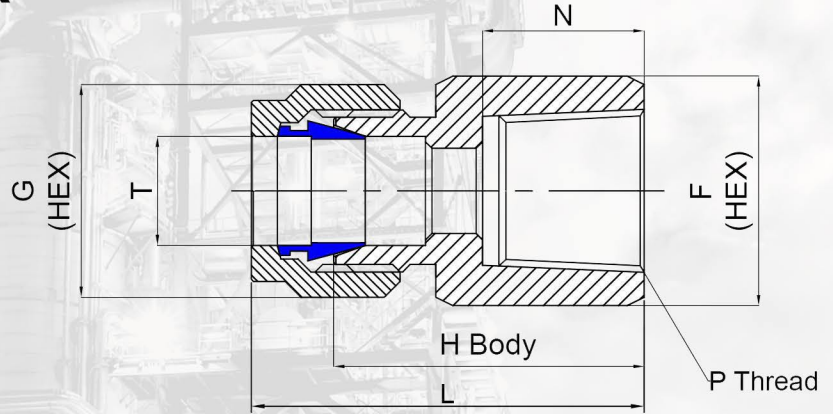


FEMALE CONNECTOR



PART NO.	T (OD)	P (THREAD)	N	L	H	G	F
SFFC-4-4	1/4" (6.35)	1/4" F NPT	14	36	29	14	19
SFFC-4-6	1/4" (6.35)	3/8" F NPT	14	36	29	14	22
SFFC-4-8	1/4" (6.35)	1/2" F NPT	19	41	34	14	27
SFFC-6-4	3/8" (9.52)	1/4" F NPT	14	38.5	31	17	19
SFFC-6-6	3/8" (9.52)	3/8" F NPT	14	38.5	31	17	22
SFFC-6-8	3/8" (9.52)	1/2" F NPT	19	43	36	17	27
SFFC-8-4	1/2" (12.7)	1/4" F NPT	14	42	31.5	22	22
SFFC-8-6	1/2" (12.7)	3/8" F NPT	14	42	31.5	22	22
SFFC-8-8	1/2" (12.7)	1/2" F NPT	19	46.5	36	22	27

PART NO.	T (OD)	P (THREAD)	N	L	H	G	F
DFFC-4-4	1/4" (6.35)	1/4" F NPT	14	36	29	14	19
DFFC-4-6	1/4" (6.35)	3/8" F NPT	14	36	29	14	22
SFFC-4-8	1/4" (6.35)	1/2" F NPT	19	41	34	14	27
DFFC-6-4	3/8" (9.52)	1/4" F NPT	14	38.5	31	17	19
DFFC-6-6	3/8" (9.52)	3/8" F NPT	14	38.5	31	17	22
SFFC-6-8	3/8" (9.52)	1/2" F NPT	19	43	36	17	27
SFFC-8-4	1/2" (12.7)	1/4" F NPT	14	42	31.5	22	22
SFFC-8-6	1/2" (12.7)	3/8" F NPT	14	42	31.5	22	22
SFFC-8-8	1/2" (12.7)	1/2" F NPT	19	46.5	36	22	27

ALL DIMENSIONS ARE IN MILLIMETERS UNLESS OTHERWISE SPECIFIED. DIMENSIONS ARE FOR REFERENCE ONLY, SUBJECT TO CHANGE.