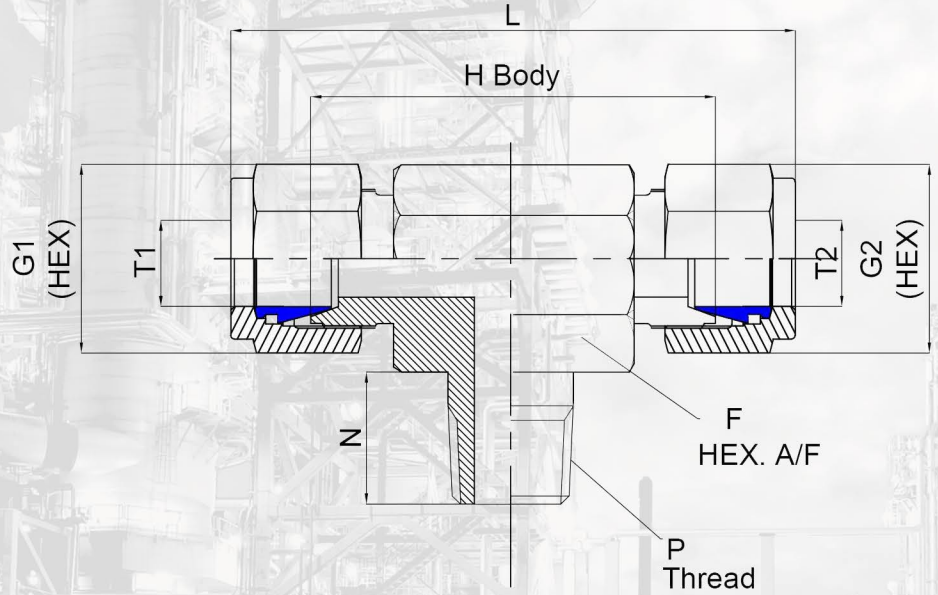


# MALE BRANCH TEE



PART NO.	T1 (OD)	T2 (OD)	P THREAD	L	H	G1	G2	N	F
DFMBT-4-4-4	1/4" T (6.35)	1/4" T (6.35)	1/4" M NPT	59	45	14	14	14	15.5
DFMBT-4-4-6	1/4" T (6.35)	1/4" T (6.35)	3/8" M NPT	67	52	14	14	14	20.5
DFMBT-6-6-4	3/8" T (9.52)	3/8" T (9.52)	1/4" M NPT	67	48	17	17	14	17.5
DFMBT-6-6-6	3/8" T (9.52)	3/8" T (9.52)	3/8" M NPT	62	52	17	17	14	20.5

PART NO.	T1 (OD)	T2 (OD)	P THREAD	L	H	G1	G2	N	F
SFMBT-4-4-4	1/4" T (6.35)	1/4" T (6.35)	1/4" M NPT	59	45	14	14	14	15.5
SFMBT-4-4-6	1/4" T (6.35)	1/4" T (6.35)	3/8" M NPT	67	52	14	14	14	20.5
SFMBT-4-4-8	1/4" T (6.35)	1/4" T (6.35)	1/2" M NPT	78	64	14	14	19	22
SFMBT-6-6-4	3/8" T (9.52)	3/8" T (9.52)	1/4" M NPT	67	48	17	17	14	17.5
SFMBT-6-6-6	3/8" T (9.52)	3/8" T (9.52)	3/8" M NPT	62	52	17	17	14	20.5
SFMBT-6-6-8	3/8" T (9.52)	3/8" T (9.52)	1/2" M NPT	78	64	17	17	19	22
SFMBT-8-8-4	1/2" T (12.7)	1/2" T (12.7)	1/4" M NPT	72	52	22	22	14	20.5
SFMBT-8-8-6	1/2" T (12.7)	1/2" T (12.7)	3/8" M NPT	72	52	22	22	14	20.5
SFMBT-8-8-8	1/2" T (12.7)	1/2" T (12.7)	1/2" M NPT	84	64	22	22	19	22

ALL DIMENSIONS ARE IN MILLIMETERS UNLESS OTHERWISE SPECIFIED. DIMENSIONS ARE FOR REFERENCE ONLY, SUBJECT TO CHANGE.