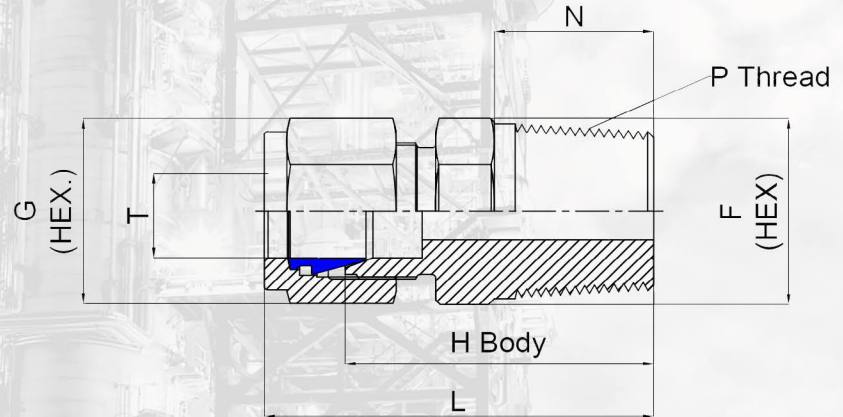


# MALE CONNECTOR



PART NO.	T (OD)	P (THREAD)	N	L	H	G	F
SFMC-4-2	1/4" T (6.35)	1/8" M NPT	10	33	25.5	14	14
SFMC-4-4	1/4" T (6.35)	1/4" M NPT	14	37	30	14	14
SFMC-4-6	1/4" T (6.35)	3/8" M NPT	14	38	30	14	17
SFMC-4-8	1/4" T (6.35)	1/2" M NPT	19	43.5	36.5	14	22
SFMC-6-2	3/8" T (9.52)	1/8" M NPT	10	36.5	29	17	17
SFMC-6-4	3/8" T (9.52)	1/4" M NPT	14	40	32.5	17	17
SFMC-6-6	3/8" T (9.52)	3/8" M NPT	14	40	32.5	17	17
SFMC-6-8	3/8" T (9.52)	1/2" M NPT	19	45	38	17	22
SFMC-8-4	1/2" T (12.7)	1/4" M NPT	14	43.5	33	22	22
SFMC-8-6	1/2" T (12.7)	3/8" M NPT	14	43.5	33	22	22
SFMC-8-8	1/2" T (12.7)	1/2" M NPT	19	48	38	22	22
SFMC-8-12	1/2" T (12.7)	3/4" M NPT	19	50	39	22	27

PART NO.	T (OD)	P (THREAD)	N	L	H	G	F
DFMC-4-2	1/4" T (6.35)	1/8" M NPT	10	33	25.5	14	14
DFMC-4-4	1/4" T (6.35)	1/4" M NPT	14	37	30	14	14
DFMC-4-6	1/4" T (6.35)	3/8" M NPT	14	38	30	14	17
DFMC-4-8	1/4" T (6.35)	1/2" M NPT	19	43.5	36.5	14	22
DFMC-6-2	3/8" T (9.52)	1/8" M NPT	10	36.5	29	17	17
DFMC-6-4	3/8" T (9.52)	1/4" M NPT	14	40	32.5	17	17
DFMC-6-6	3/8" T (9.52)	3/8" M NPT	14	40	32.5	17	17
DFMC-6-8	3/8" T (9.52)	1/2" M NPT	19	45	38	17	22
DFMC-8-4	1/2" T (12.7)	1/4" M NPT	14	43.5	33	22	22
DFMC-8-6	1/2" T (12.7)	3/8" M NPT	14	43.5	33	22	22
DFMC-8-8	1/2" T (12.7)	1/2" M NPT	19	48	38	22	22
DFMC-8-12	1/2" T (12.7)	3/4" M NPT	19	50	39	22	27

ALL DIMENSIONS ARE IN MILLIMETERS UNLESS OTHERWISE SPECIFIED. DIMENSIONS ARE FOR REFERENCE ONLY, SUBJECT TO CHANGE.