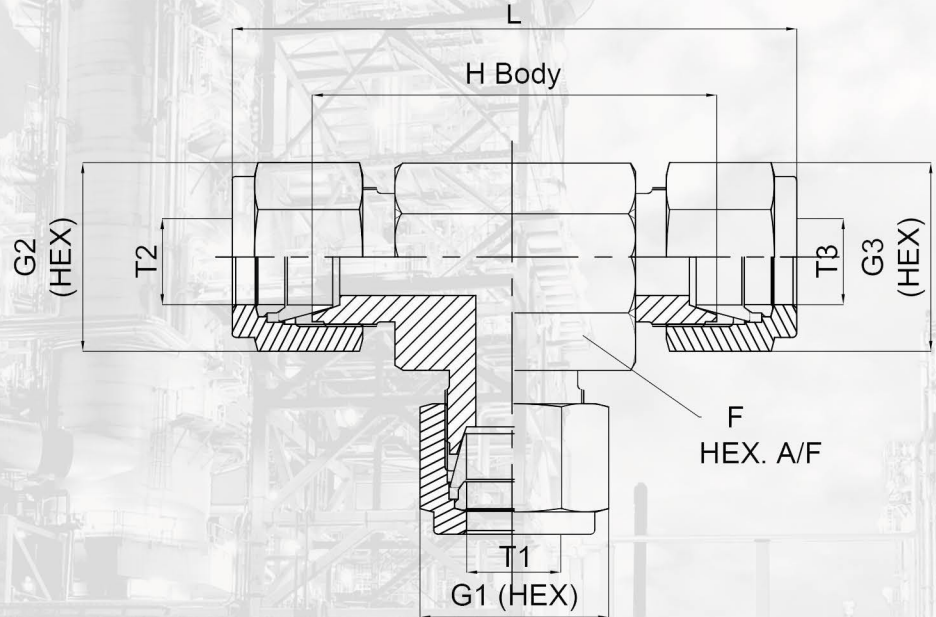


# REDUCING TEE



PART NO.	T1 (OD)	T1 (OD)	T1 (OD)	L	H	G1	G2	G3	F
SFRUT-6-4-4	3/8" T (9.52)	1/4" T (6.35)	1/4" T (6.35)	62.5	48	17	14	14	17.5
SFRUT-6-4-6	3/8" T (9.52)	1/4" T (6.35)	3/8" T (9.52)	62.5	48	17	14	17	17.5
SFRUT-6-6-4	3/8" T (9.52)	3/8" T (9.52)	1/4" T (6.35)	64.5	50	17	17	14	17.5
SFRUT-8-4-4	1/2" T (12.7)	1/4" T (6.35)	1/4" T (6.35)	66	52	22	14	14	20.5
SFRUT-8-4-8	1/2" T (12.7)	1/4" T (6.35)	1/2" T (12.7)	69	52	22	14	22	20.5
SFRUT-8-6-6	1/2" T (12.7)	3/8" T (9.52)	3/8" T (9.52)	70.5	52.5	22	17	17	21
SFRUT-8-6-8	1/2" T (12.7)	3/8" T (9.52)	1/2" T (12.7)	69	52	22	17	22	20.5
SFRUT-8-8-4	1/2" T (12.7)	1/2" T (12.7)	1/4" T (6.35)	69	52	22	22	14	20.5
SFRUT-8-8-6	1/2" T (12.7)	1/2" T (12.7)	3/8" T (9.52)	69	52	22	22	17	20.5

PART NO.	T1 (OD)	T1 (OD)	T1 (OD)	L	H	G1	G2	G3	F
DFRUT-6-4-4	3/8" T (9.52)	1/4" T (6.35)	1/4" T (6.35)	62.5	48	17	14	14	17.5
DFRUT-6-4-6	3/8" T (9.52)	1/4" T (6.35)	3/8" T (9.52)	62.5	48	17	14	17	17.5
DFRUT-6-6-4	3/8" T (9.52)	3/8" T (9.52)	1/4" T (6.35)	64.5	50	17	17	14	17.5
DFRUT-8-4-4	1/2" T (12.7)	1/4" T (6.35)	1/4" T (6.35)	66	52	22	14	14	20.5
DFRUT-8-4-8	1/2" T (12.7)	1/4" T (6.35)	1/2" T (12.7)	69	52	22	14	22	20.5
DFRUT-8-6-6	1/2" T (12.7)	3/8" T (9.52)	3/8" T (9.52)	70.5	52.5	22	17	17	21
DFRUT-8-6-8	1/2" T (12.7)	3/8" T (9.52)	1/2" T (12.7)	69	52	22	17	22	20.5
DFRUT-8-8-4	1/2" T (12.7)	1/2" T (12.7)	1/4" T (6.35)	69	52	22	22	14	20.5
DFRUT-8-8-6	1/2" T (12.7)	1/2" T (12.7)	3/8" T (9.52)	69	52	22	22	17	20.5

ALL DIMENSIONS ARE IN MILLIMETERS UNLESS OTHERWISE SPECIFIED. DIMENSIONS ARE FOR REFERENCE ONLY, SUBJECT TO CHANGE.