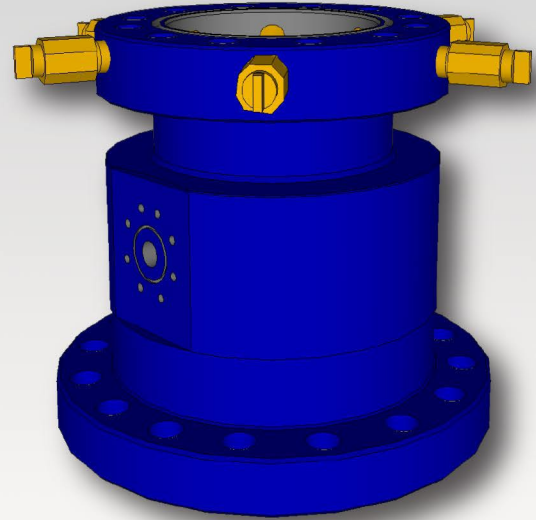
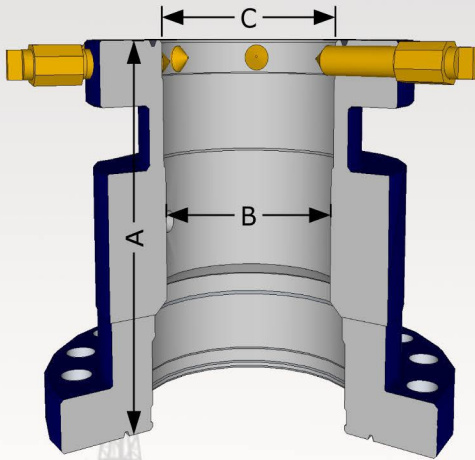


Overview

Apache Tubing Spools have a straight bore bowl design with 45 landing shoulders which prevents damage to sealing areas by drilling tools and eliminates bowl protector wedging issues when pressure is applied. Accepts all TC style tubing hangers, can be converted from single to multiple completions.



	Bottom Flange (wp in psi)		Top Flange (wp in psi)		Dimensions (inch)			Weight (lbs)	
					A	B	C		
11"	2,000	7-1/16"	3,000		23.12	6.76	7.00	550	
			5,000		26.25	6.76	7.00	600	
	3,000	7-1/16"	3,000		26.25	6.76	7.00	670	
			5,000		26.25	6.76	7.00	750	
	9"	7-1/16"	3,000		26.25	8.25	8.75	800	
			5,000		26.25	8.25	8.75	880	
	5,000	7-1/16"	5,000		31.25	6.76	7.00	856	
			10,000		31.25	6.76	7.00	1249	
	9"	7-1/16"	10,000		32.62	6.76	7.00	1318	
			15,000		32.62	6.76	7.00	-	
10,000	7-1/16"	10,000		32.62	8.25	8.75	1700		
		15,000		32.62	8.25	8.75			
13-5/8"	2,000	7-1/16"	3,000		23.12	6.76	7.00	445	
			5,000		23.12	6.76	7.00	655	
	9"	7-1/16"	3,000		23.12	8.25	8.75	670	
			5,000		23.12	8.25	8.75	805	
	3,000	7-1/16"	3,000		26.25	6.76	7.00	705	
			5,000		26.25	6.76	7.00	715	
	9"	7-1/16"	3,000		26.25	8.25	8.75	705	
			5,000		26.25	8.25	8.75	715	
	5,000	11"	7-1/16"	10,000		30.25	10.00	10.88	1754
				15,000		30.25	10.00	10.88	

Ordering Options

Outlets

Line Pipe Outlets
Side Studded Outlets

Bottom Prep

PE/BG bottom
HPE bottom

Lock Screws

BP pins are included

API 6A specifications

PSL 1 or PSL 2, PR 1, DD-NL